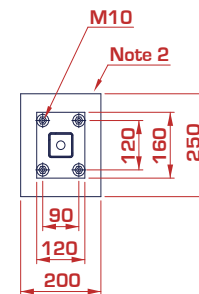
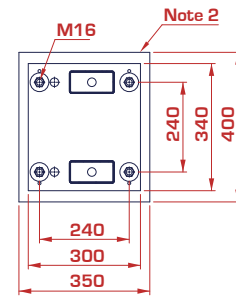
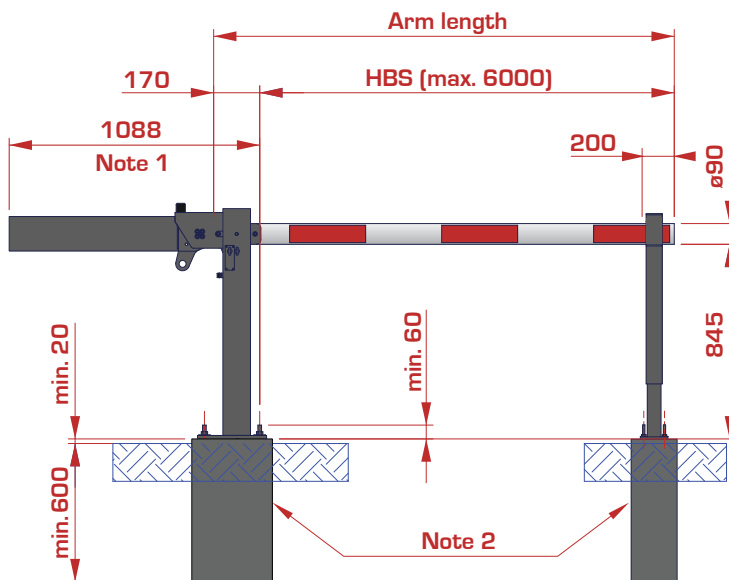


## Manual barrier with support pole

- Up to 6m
- With snapper lock or cylinder lock
- Can be locked in open or closed position

### Technical drawings



### Notes

1. Maximum value for HBS 4m u/i 9m and less for shorter arm lengths.  
e.g. 700mm for HBS 2m and 900mm for HBS 3m.
2. Concrete footing  
Minimum protruding height above ground level = 20mm.  
Minimum embedment depth = 600mm (dependent on type of soil and frost line).



**BORMET**

Your safe partner in access

✉ [info@bambormet.be](mailto:info@bambormet.be)

☎ +32 11 31 26 56

📍 Ambachtstraat 1137, 3850 Nieuwerkerken, Belgium